

COMPUTER SCIENCE (Theory) - Class XII

Sample Question Paper-I

Subject Code - 083

TIME : 3 Hrs

MM : 70

No.	Questions	Marks
1.		
(a)	What is the difference between Global Variable and Local Variable? Also, give a suitable C++ code to illustrate both.	2
(b)	Which C++ header file(s) will be essentially required to be included to run / execute the following C++ code: <pre>void main() { char Msg[]="Sunset Gardens"; for (int l=5;l<strlen(Msg);l++) puts(Msg); }</pre>	1
(c)	Rewrite the following program after removing the syntactical errors (if any). Underline each correction. <pre>#include [iostream.h] class MEMBER { int Mno;float Fees; PUBLIC: void Register(){cin>>Mno>>Fees;} void Display{cout<<Mno<<" : "<<Fees<<endl;} }; void main() { MEMBER M; Register(); M.Display(); }</pre>	2

No.	Questions	Marks
(d)	<p>Find the output of the following program:</p> <pre> #include <iostream.h> struct GAME { int Score, Bonus;}; void Play(GAME &g, int N=10) { g.Score++;g.Bonus+=N; } void main() { GAME G={110,50}; Play(G,10); cout<<G.Score<<":"<<G.Bonus<<endl; Play(G); cout<<G.Score<<":"<<G.Bonus<<endl; Play(G,15); cout<<G.Score<<":"<<G.Bonus<<endl; } </pre>	3
(e)	<p>Find the output of the following program:</p> <pre> #include <iostream.h> void Secret(char Str[]) { for (int L=0;Str[L]!='\0';L++); for (int C=0;C<L/2;C++) if (Str[C]=='A' Str[C]=='E') Str[C]='#'; else { char Temp=Str[C]; </pre>	2

No.	Questions	Marks
	<pre> Str[C]=Str[L-C-1]; Str[L-C-1]=Temp; } } void main() { char Message[]="ArabSagar"; Secret(Message); cout<<Message<<endl; } </pre> <p>(f) In the following program, if the value of Guess entered by the user is 65, what will be the expected output(s) from the following options (i), (ii), (iii) and (iv)?</p> <pre> #include <iostream.h> #include <stdlib.h> void main() { int Guess; randomize(); cin>>Guess; for (int l=1;l<=4;l++) { New=Guess+random(l); cout<<(char)New; } } </pre> <p>(i) ABBC (ii) ACBA (iii) BCDA (iv) CABD</p>	2

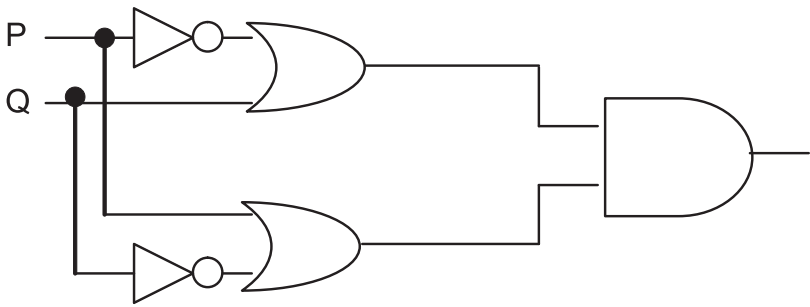
No.	Questions	Marks
2.		
(a)	What do you understand by Data Encapsulation and Data Hiding? Also, give a suitable C++ code to illustrate both.	2
(b)	Answer the questions (i) and (ii) after going through the following class:	2
	<pre> class Seminar { int Time; public: Seminar() //Function 1 { Time=30;cout<<"Seminar starts now"<<end1; } void Lecture() //Function 2 { cout<<"Lectures in the seminar on"<<end1; } Seminar(int Duration) //Function 3 { Time=Duration;cout<<"Seminar starts now"<<end1; } ~Seminar() //Function 4 { cout<<"Vote of thanks"<<end1; } }; </pre>	
i)	In Object Oriented Programming, what is Function 4 referred as and when does it get invoked/called?	
ii)	In Object Oriented Programming, which concept is illustrated by Function 1 and Function 3 together? Write an example illustrating the calls for these functions.	

No.	Questions	Marks
(c)	<p>Define a class TEST in C++ with following description:</p> <p>Private Members</p> <ul style="list-style-type: none"> • TestCode of type integer • Description of type string • NoCandidate of type integer • CenterReqd (number of centers required) of type integer • A member function CALCNTR() to calculate and return the number of centers as (NoCandidates/100+1) <p>Public Members</p> <ul style="list-style-type: none"> • A function SCHEDULE() to allow user to enter values for TestCode, Description, NoCandidate & call function CALCNTR() to calculate the number of Centres • A function DISPTEST() to allow user to view the content of all the data members 	4
(d)	<p>Answer the questions (i) to (iv) based on the following:</p> <pre> class PUBLISHER { char Pub[12]; double Turnover; protected: void Register(); public: PUBLISHER(); void Enter(); void Display(); }; class BRANCH { char CITY[20]; protected: float Employees; </pre>	4

No.	Questions	Marks
3.	<pre> public: BRANCH(); void Haveit(); void Giveit(); }; class AUTHOR : private BRANCH , public PUBLISHER { int Acode; char Aname[20]; float Amount; public: AUTHOR(); void Start(); void Show(); }; </pre> <p>(i) Write the names of data members, which are accessible from objects belonging to class AUTHOR.</p> <p>(ii) Write the names of all the member functions which are accessible from objects belonging to class BRANCH.</p> <p>(iii) Write the names of all the members which are accessible from member functions of class AUTHOR.</p> <p>(iv) How many bytes will be required by an object belonging to class AUTHOR?</p> <p>(a) Write a function in C++ to merge the contents of two sorted arrays A & B into third array C. Assuming array A and B are sorted in ascending order and the resultant array C is also required to be in ascending order.</p> <p>(b) An array S[40][30] is stored in the memory along the row with each of the element occupying 2 bytes, find out the memory location for the element S[20][10], if the Base Address of the array is 5000.</p> <p>(c) Write a function in C++ to perform Insert operation in a dynamically allocated Queue containing names of students.</p> <p>(d) Write a function in C++ to find the sum of both left and right diagonal ele-</p>	<p>3</p> <p>3</p> <p>4</p> <p>2</p>

No.	Questions	Marks
4.	<p>ments from a two dimensional array (matrix).</p> <p>(e) Evaluate the following postfix notation of expression: 20, 30, +, 50, 40, -, *</p>	2
(a)	<p>Observe the program segment given below carefully and fill the blanks marked as Statement 1 and Statement 2 using seekp() and seekg() functions for performing the required task.</p> <pre> #include <fstream.h> class Item { int Ino;char Item[20]; public: //Function to search and display the content from a particular record number void Search(int); //Function to modify the content of a particular record number void Modify(int); }; void Item::Search(int RecNo) { fstream File; File.open("STOCK.DAT",ios::binary ios::in); _____ //Statement 1 File.read((char*)this,sizeof(Item)); cout<<Ino<<"==>"<<Item<<endl; File.close(); } void Item::Modify(int RecNo) { fstream File; File.open("STOCK.DAT",ios::binary ios::in ios::out); </pre>	1

No.	Questions	Marks			
	<pre> cout>>Ino;cin.getline(Item,20); _____ //Statement 2 File.write((char*)this,sizeof(Item)); File.close(); } </pre>				
(b)	<p>Write a function in C++ to count the number of lines present in a text file "STORY.TXT".</p>	2			
(c)	<p>Write a function in C++ to search for a BookNo from a binary file "BOOK.DAT", assuming the binary file is containing the objects of the following class.</p>	3			
	<pre> class { int Bno; char Title[20]; public: int RBno(){return Bno;} void Enter(){cin>>Bno;gets(Title);} void Display(){cout<<Bno<<Title<<endl;} }; </pre>				
5.					
(a)	<p>What do you understand by Degree and Cardinality of a table?</p> <p>Consider the following tables ACTIVITY and COACH and answer (b) and (c) parts of this question:</p> <p>Table: ACTIVITY</p>	2			
1001	Relay 100x4	Star Annex	16	10000	23-Jan-2004
1002	High jump	Star Annex	10	12000	12-Dec-2003
1003	Shot Put	Super Power	12	8000	14-Feb-2004
1005	Long Jump	Star Annex	12	9000	01-Jan-2004
1008	Discuss Throw	Super Power	10	15000	19-Mar-2004

No.	Questions	Marks																				
	<p>Table: COACH</p> <table border="1" data-bbox="304 344 1187 636"> <thead> <tr> <th>PCode</th> <th>Name</th> <th>Acode</th> <th></th> </tr> </thead> <tbody> <tr> <td>1</td> <td>Ahmad Hussain</td> <td>1001</td> <td></td> </tr> <tr> <td>2</td> <td>Ravinder</td> <td>1008</td> <td></td> </tr> <tr> <td>3</td> <td>Janila</td> <td>1001</td> <td></td> </tr> <tr> <td>4</td> <td>Naaz</td> <td>1003</td> <td></td> </tr> </tbody> </table> <p>(b) Write SQL commands for the flowing statements:</p> <p>(i) To display the names of all activities with their Acodes in descending order.</p> <p>(ii) To display sum of PrizeMoney for the Activities played in each of the Stadium separately.</p> <p>(iii) To display the coach's name and ACodes in ascending order of ACode from the table COACH</p> <p>(iv) To display the content of the Activity table whose ScheduleDate earlier than 01/01/2004 in ascending order of ParticipantsNum.</p> <p>(c) Give the output of the following SQL queries:</p> <p>(i) SELECT COUNT(DISTINCT ParticipantsNum) FROM ACTIVITY;</p> <p>(ii) SELECT MAX(ScheduleDate),MIN(ScheduleDate) FROM ACTIVITY;</p> <p>(iii) SELECT Name,ActivityName FROM ACTIVITY A,COACH C WHERE A.Acode=C.Acode AND A.ParticipantsNum=10;</p> <p>(iv) SELECT DISTINCT Acode FROM COACH;</p>	PCode	Name	Acode		1	Ahmad Hussain	1001		2	Ravinder	1008		3	Janila	1001		4	Naaz	1003		4
PCode	Name	Acode																				
1	Ahmad Hussain	1001																				
2	Ravinder	1008																				
3	Janila	1001																				
4	Naaz	1003																				
6.	(a) State and verify Demorgan's Laws algebraically.	2																				
	<p>(b) Write the equivalent Boolean Expression for the following Logic Circuit</p> 	2																				

No.	Questions	Marks																																				
(c)	<p>Write the POS form of a Boolean function F, which is represented in a truth table as follows:</p> <table border="1" data-bbox="209 383 1385 913"> <thead> <tr> <th data-bbox="209 383 469 443">U</th> <th data-bbox="474 383 815 443">V</th> <th data-bbox="820 383 1114 443">W</th> <th data-bbox="1118 383 1385 443">F</th> </tr> </thead> <tbody> <tr> <td data-bbox="209 443 469 504">0</td> <td data-bbox="474 443 815 504">0</td> <td data-bbox="820 443 1114 504">0</td> <td data-bbox="1118 443 1385 504">1</td> </tr> <tr> <td data-bbox="209 504 469 564">0</td> <td data-bbox="474 504 815 564">0</td> <td data-bbox="820 504 1114 564">1</td> <td data-bbox="1118 504 1385 564">0</td> </tr> <tr> <td data-bbox="209 564 469 624">0</td> <td data-bbox="474 564 815 624">1</td> <td data-bbox="820 564 1114 624">0</td> <td data-bbox="1118 564 1385 624">1</td> </tr> <tr> <td data-bbox="209 624 469 685">0</td> <td data-bbox="474 624 815 685">1</td> <td data-bbox="820 624 1114 685">1</td> <td data-bbox="1118 624 1385 685">0</td> </tr> <tr> <td data-bbox="209 685 469 745">1</td> <td data-bbox="474 685 815 745">0</td> <td data-bbox="820 685 1114 745">0</td> <td data-bbox="1118 685 1385 745">1</td> </tr> <tr> <td data-bbox="209 745 469 806">1</td> <td data-bbox="474 745 815 806">0</td> <td data-bbox="820 745 1114 806">1</td> <td data-bbox="1118 745 1385 806">0</td> </tr> <tr> <td data-bbox="209 806 469 866">1</td> <td data-bbox="474 806 815 866">1</td> <td data-bbox="820 806 1114 866">0</td> <td data-bbox="1118 806 1385 866">1</td> </tr> <tr> <td data-bbox="209 866 469 913">1</td> <td data-bbox="474 866 815 913">1</td> <td data-bbox="820 866 1114 913">1</td> <td data-bbox="1118 866 1385 913">1</td> </tr> </tbody> </table>	U	V	W	F	0	0	0	1	0	0	1	0	0	1	0	1	0	1	1	0	1	0	0	1	1	0	1	0	1	1	0	1	1	1	1	1	1
U	V	W	F																																			
0	0	0	1																																			
0	0	1	0																																			
0	1	0	1																																			
0	1	1	0																																			
1	0	0	1																																			
1	0	1	0																																			
1	1	0	1																																			
1	1	1	1																																			
(d)	<p>Reduce the following Boolean Expression using K-Map: $F(A,B,C,D) = (0,1,2,4,5,6,8,10)$</p> <p>7.</p> <p>a) Compare any two Switching techniques.</p> <p>b) Which of the following is not a Client Side script: (i) VB Script (ii) Java Script (iii) ASP (iv) PHP</p> <p>c) If someone has hacked your Website, to whom you lodge the Complain?</p> <p>d) What do you mean by IP Address? How is it useful in Computer Security?</p> <p>e) Knowledge Supplement Organisation has set up its new center at Mangalore for its office and web based activities. It has 4 blocks of buildings as shown in the diagram below:</p> <div data-bbox="474 1621 1098 1995" style="text-align: center;"> </div>	3 1 1 1 1 4																																				

No.	Questions	Marks																				
	<p>Center to center distances between various blocks</p> <table border="1" data-bbox="360 349 1254 703"> <tr> <td>Black A to Block B</td> <td>50 m</td> </tr> <tr> <td>Block B to Block C</td> <td>150 m</td> </tr> <tr> <td>Block C to Block D</td> <td>25 m</td> </tr> <tr> <td>Block A to Block D</td> <td>170 m</td> </tr> <tr> <td>Block B to Block D</td> <td>125 m</td> </tr> <tr> <td>Block A to Block C</td> <td>90 m</td> </tr> </table> <p>Number of Computers</p> <table border="1" data-bbox="367 761 1050 994"> <tr> <td>Black A</td> <td>25</td> </tr> <tr> <td>Block B</td> <td>50</td> </tr> <tr> <td>Block C</td> <td>125</td> </tr> <tr> <td>Block D</td> <td>10</td> </tr> </table> <p>e1) Suggest a cable layout of connections between the blocks.</p> <p>e2) Suggest the most suitable place (i.e. block) to house the server of this organisation with a suitable reason.</p> <p>e3) Suggest the placement of the following devices with justification</p> <p>(i) Repeater</p> <p>(ii) Hub/Switch</p> <p>e4) The organization is planning to link its front office situated in the city in a hilly region where cable connection is not feasible, suggest an economic way to connect it with reasonably high speed?</p> <p>f) What do you mean by Spam Mails? How can you protect your mailbox from Spams?</p> <p>g) Mention any two advantages of Open Source Software over Proprietary Software.</p>	Black A to Block B	50 m	Block B to Block C	150 m	Block C to Block D	25 m	Block A to Block D	170 m	Block B to Block D	125 m	Block A to Block C	90 m	Black A	25	Block B	50	Block C	125	Block D	10	<p>1</p> <p>1</p>
Black A to Block B	50 m																					
Block B to Block C	150 m																					
Block C to Block D	25 m																					
Block A to Block D	170 m																					
Block B to Block D	125 m																					
Block A to Block C	90 m																					
Black A	25																					
Block B	50																					
Block C	125																					
Block D	10																					

COMPUTER SCIENCE (Theory) - Class XII

Marking Scheme

Sample Question Paper-I

Subject Code - 083

TIME : 3 Hrs

MM : 100

No.	Answers	Marks				
1.						
(a)	<table border="1"><thead><tr><th>Global Variable</th><th>Local Variable</th></tr></thead><tbody><tr><td><ul style="list-style-type: none">• It is a variable which is declared outside all the functions• It is accessible throughout the program</td><td><ul style="list-style-type: none">• It is a variable which is declared with in a function or with in a compound statement• It is accessible only within a function/ compound statement in which it is declared</td></tr></tbody></table>	Global Variable	Local Variable	<ul style="list-style-type: none">• It is a variable which is declared outside all the functions• It is accessible throughout the program	<ul style="list-style-type: none">• It is a variable which is declared with in a function or with in a compound statement• It is accessible only within a function/ compound statement in which it is declared	2
Global Variable	Local Variable					
<ul style="list-style-type: none">• It is a variable which is declared outside all the functions• It is accessible throughout the program	<ul style="list-style-type: none">• It is a variable which is declared with in a function or with in a compound statement• It is accessible only within a function/ compound statement in which it is declared					
	<pre>#include <iostream.h> float NUM=900; //NUM is a global variable void LOCAL(int T) { int Total=0; //Total is a local variable for (int I=0;I<T;I++) Total+=I; cout<<NUM+Total; } void main() { LOCAL(45); }</pre>					
	(1 Mark for two differences)					

No.	Answers	Marks
	<p>(1 Mark for the suitable example)</p> <p style="text-align: center;">OR</p> <p>(Full 2 Mark for explanation of differences with the help of an example)</p> <p style="text-align: center;">OR</p> <p>(1 Mark for only example with no explanation)</p>	
(b)	<p>(i) string.h (ii) stdio.h</p> <p>(½ Mark for mentioning each correct header filename)</p>	1
(c)	<pre>#include <iostream.h> class MEMBER { int Mno;float Fees; public: void Register(){cin>>Mno>>Fees;} void Display(){cout<<Mno<<". "<<Fees<<endl;} }; void main() { MEMBER M; M.Register(); M.Display(); }</pre> <p>(½ Mark each correction)</p>	2
(d)	<p>111:60</p> <p>112:70</p> <p>113:85</p> <p>(1 Mark for each correct line of output)</p>	3

No.	Answers	Marks
(e)	#agaSbarr (2 Marks for correct line of output)	2
(f)	(i) ABBC (2 Marks for mentioning correct option)	2
2.	<p>(a) Data Encapsulation: Wrapping up of data and functions together in a single unit is known as Data Encapsulation. In a class, we wrap up the data and functions together in a single unit.</p> <p>Data Hiding: Keeping the data in private visibility mode of the class to prevent it from accidental change is known as Data Hiding.</p> <pre> class Computer { char CPU[10];int RAM; public: void STOCK(); void SHOW(); }; </pre> <p style="text-align: center;">Data Encapsulation</p> <p>(½ Mark each for appropriate definitions) (1 Mark for appropriate example showing both)</p>	2
(b)	<p>i) Destructor, it is invoked as soon as the scope of the object gets over. (½ Mark for mentioning destructor) (½ Mark for remaining answer)</p> <p>ii) Constructor Overloading (or Function Overloading or Polymorphism)</p> <pre> Seminar S1; //Function 1 Seminar S2(90); //Function 3 </pre> <p>(½ Mark for mentioning the correct concept) (½ Mark for the example)</p>	2

No.	Answers	Marks
(c)	<pre> class TEST { int TestCode; char Description[20]; int NoCandidate,CenterReqd; void CALCNTR(); public: void SCHEDULE(); void DISPTEST(); }; void TEST::CALCNTR() { CenterReqd=NoCandidate/100 + 1; } void TEST::SCHEDULE() { cout<<"Test Code :";cin>>TestCode; cout<<"Description :";gets(Description); cout<<"Number :";cin>>NoCandidate; CALCNTR(); } void TEST::DISPTEST() { cout<<"Test Code :"<<TestCode<<endl; cout<<"Description :"<<Description<<endl; cout<<"Number :"<<NoCandidate<<endl;; cout<<"Centres :"<<CenterReqd<<endl;; } </pre> <p><i>(½ Mark for correct syntax for class header)</i> <i>(½ Mark for correct declarations of data members)</i> <i>(1 Mark for appropriate definition of function CALCNTR())</i> <i>(1 Mark for appropriate definition of SCHEDULE() with a call for CALCNTR())</i> <i>(1 Mark for appropriate definition of DISPTEST())</i></p>	4
(d)	(i) None of data members are accessible from objects belonging to class AUTHOR.	4

No.	Answers	Marks
3.	<p>(1 Mark for correct answer)</p> <p>(ii) Haveit(), Giveit() (1 Mark for correct answer)</p> <p>(iii) Data members: Employees, Acode, Aname, Amount Member function: Register(), Enter(), Display(), Haveit(), Giveit(), Start(), Show(), (1 Mark for correct answer)</p> <p>(iv) 70 (1 Mark for correct answer)</p> <p>(a) void AddNSave(int A[],int B[],int C[],int N,int M, int &K) { int l=0,j=0; K=0; while (l<N && j<M) if (A[l]<B[j]) C[k++]=A[l++]; else if (A[l]>B[j]) C[k++]=B[j++]; else { C[k++]=A[l++]; j++; } for (;l<N;l++) C[k++]=A[l]; for (;j<M;j++) C[k++]=B[j]; }</p> <p>(½ Mark for correct Function Header) (½ Mark for correct initialization of required variables) (½ Mark for correct formation of loop) (½ Mark for appropriate conditions and assignments in the loop) (½ Mark for appropriately transferring the remaining elements from first array) (½ Mark for appropriately transferring the remaining elements from second array)</p>	3

No.	Answers	Marks
(b)	<p>Given,</p> <p>W=2</p> <p>N=40</p> <p>M=30</p> <p>Base(S)=5000</p> <p>Row Major Formula:</p> <p>Loc(S[I][J]) = Base(S)+W*(M*I+J)</p> <p>Loc(S[20][10]) = 5000+2*(30*20+10)</p> <p style="padding-left: 100px;">= 5000+2*(600+10)</p> <p style="padding-left: 100px;">= 5000+1220</p> <p style="padding-left: 100px;">= 6220</p> <p><i>(1 Mark for writing correct formula (for column major) OR substituting formula with correct values)</i></p> <p><i>(1 Mark for writing calculation step - at least one step)</i></p> <p><i>(1 Mark for correct address)</i></p>	3
(c)	<pre> struct NODE { char Name[20]; NODE *Link; }; class QUEUE { NODE *R,*F; public: QUEUE(); void Insert(); void Delete(); }; void QUEUE::Insert() { </pre>	4

No.	Answers	Marks
	<pre> NODE *Temp; Temp=new NODE; gets(Temp->Name); Temp->Link=NULL; if (Rear==NULL) { Rear=Temp; Front=Temp; } else { Rear->Link=Temp; Rear=Temp; } } </pre> <p><i>(1 Mark for creating a new node and assigning/entering appropriate values in it)</i> <i>(1 Mark for checking if Queue is Empty)</i> <i>(1 Mark for assigning Rear and Front as Temp - if Queue is Empty)</i> <i>(1 Mark for eassigning Rear->Link as Front and Rear as Temp)</i></p>	
(d)	<pre> void DiagSum(int M[][4],int N,int M) { int SumD1=0,SumD2=0; for (int l=0;l<N;l++) { SumD1+=M[l][l];SumD2+=M[N-l-1][l]; } cout<<"Sum of Diagonal 1:"<<SumD1<<endl; cout<<"Sum of Diagonal 2:"<<SumD2<<endl; </pre>	2

No.	Answers	Marks																												
(e)	<p data-bbox="312 300 328 333">}</p> <p data-bbox="220 360 730 394">(½ Mark for correct function header)</p> <p data-bbox="220 421 975 454">(½ Mark for initialization of SumD1 and SumD2 as 0)</p> <p data-bbox="220 481 639 515">(½ Mark for appropriate loop)</p> <p data-bbox="220 542 1169 575">(½ Mark for correct expression for adding each diagonal elements)</p> <p data-bbox="276 786 467 819">Step 1: Push</p> <table border="1" data-bbox="386 819 584 969"> <tr><td> </td></tr> <tr><td> </td></tr> <tr><td> </td></tr> <tr><td>20</td></tr> </table> <p data-bbox="276 1003 475 1037">Step 2: Push</p> <table border="1" data-bbox="386 1037 584 1187"> <tr><td> </td></tr> <tr><td> </td></tr> <tr><td>30</td></tr> <tr><td>20</td></tr> </table> <p data-bbox="276 1220 411 1254">Step 3: +</p> <table border="1" data-bbox="386 1290 584 1440"> <tr><td> </td></tr> <tr><td> </td></tr> <tr><td> </td></tr> <tr><td>20</td></tr> </table> <p data-bbox="600 1294 722 1368">Pop Op2=30</p> <table border="1" data-bbox="778 1290 976 1440"> <tr><td> </td></tr> <tr><td> </td></tr> <tr><td> </td></tr> <tr><td> </td></tr> </table> <p data-bbox="992 1294 1115 1406">Pop Op1=20 Op2=30</p> <p data-bbox="1185 1256 1265 1290">Push</p> <table border="1" data-bbox="1169 1290 1367 1440"> <tr><td> </td></tr> <tr><td> </td></tr> <tr><td> </td></tr> <tr><td>50</td></tr> </table> <p data-bbox="276 1473 475 1507">Step 4: Push</p> <table border="1" data-bbox="386 1507 584 1657"> <tr><td> </td></tr> <tr><td> </td></tr> <tr><td>50</td></tr> <tr><td>50</td></tr> </table> <p data-bbox="276 1691 475 1724">Step 5: Push</p> <table border="1" data-bbox="386 1724 584 1874"> <tr><td> </td></tr> <tr><td>40</td></tr> <tr><td>50</td></tr> <tr><td>50</td></tr> </table>				20			30	20				20								50			50	50		40	50	50	2
20																														
30																														
20																														
20																														
50																														
50																														
50																														
40																														
50																														
50																														

No.	Answers	Marks																											
4.	<p>Step 6: -</p> <table style="display: inline-table; margin-right: 20px;"> <tr><td> </td></tr> <tr><td> </td></tr> <tr><td>50</td></tr> <tr><td>50</td></tr> </table> <p>Pop Op2=40</p> <table style="display: inline-table; margin-right: 20px;"> <tr><td> </td></tr> <tr><td> </td></tr> <tr><td>50</td></tr> </table> <p>Pop Op1=50 Op2=40</p> <p>Push</p> <table style="display: inline-table;"> <tr><td> </td></tr> <tr><td> </td></tr> <tr><td>10</td></tr> <tr><td>50</td></tr> </table> <p>Step 7: *</p> <table style="display: inline-table; margin-right: 20px;"> <tr><td> </td></tr> <tr><td> </td></tr> <tr><td> </td></tr> <tr><td>50</td></tr> </table> <p>Pop Op2=10</p> <table style="display: inline-table; margin-right: 20px;"> <tr><td> </td></tr> <tr><td> </td></tr> <tr><td> </td></tr> <tr><td> </td></tr> </table> <p>Pop Op1=50 Op2=10</p> <p>Push</p> <table style="display: inline-table;"> <tr><td> </td></tr> <tr><td> </td></tr> <tr><td> </td></tr> <tr><td>500</td></tr> </table> <p>Step 8: Pop</p> <table style="display: inline-table; margin-right: 20px;"> <tr><td> </td></tr> <tr><td> </td></tr> <tr><td> </td></tr> <tr><td> </td></tr> </table> <p>Result 500</p> <p><i>(½ Mark for correctly evaluating each operator)</i> <i>(½ Mark for the correct result)</i></p>			50	50			50			10	50				50								500					
	50																												
50																													
50																													
10																													
50																													
50																													
500																													
<p>a)</p> <pre>File.seekg(RecNo*sizeof(Item)); //Statement 1 File.seekp(RecNo*sizeof(Item)); //Statement 2</pre> <p><i>(½ Mark for each correct Statement)</i></p>	1																												
<p>(b)</p> <pre>void CountLine() { ifstream FIL("STORY.TXT"); int LINES=0; char STR[80];</pre>	2																												

No.	Answers	Marks
	<pre> while (FIL.getline(STR,80)) LINES++; cout<<"No. of Lines:"<<LINES<<endl; f.close(); } </pre> <p><i>(½ Mark for opening STORY.TXT correctly)</i> <i>(½ Mark for initializing a counter variable as 0)</i> <i>(½ Mark for correctly reading a line from the file)</i> <i>(½ Mark for correctly incrementing the counter)</i></p> <p>(c) <pre> void BookSearch() { fstream FIL; FIL.open("BOOK.DAT",ios::binary ios::in); BOOK B; int bn,Found=0; cout<<"Enter Book No. to search..."; cin>>bn; while (FIL.read((char*)&S,sizeof(S))) if (FIL.RBno()==bn) { S.Display(); Found++; } if (Found==0) cout<<"Sorry! Book not found!!!"<<endl; FIL.close(); } </pre> <p><i>(½ Mark for opening BOOK.DAT correctly)</i> <i>(½ Mark for reading each record from BOOK.DAT)</i> <i>(½ Mark for correct loop / checking end of file)</i> <i>(1 Mark for comparing Book number)</i> <i>(½ Mark for displaying the matching record)</i></p> </p>	3

No.	Answers	Marks
5.		
(a)	Degree: Number of Columns in a table Cardinality: Number of rows in a table <i>(1 Mark for each definition)</i>	2
(b)	(i) SELECT Acodes, ActivityName FROM ACTIVITY ORDER BY Acode DESC; <i>(1 Mark for correct query)</i> OR <i>(½ Mark for partially correct answer)</i> (ii) SELECT SUM(PrizeMoney), Stadium FROM ACTIVITY GROUP BY Stadium; <i>(1 Mark for correct query)</i> OR <i>(½ Mark for partially correct answer)</i> (iii) SELECT Name, Acode FROM COACH ORDER BY Acode; <i>(1 Mark for correct query)</i> OR <i>(½ Mark for partially correct answer)</i> (v) SELECT * FROM ACTIVITY WHERE SchduleDate<'01-Jan-2004' ORDER BY ParticipantsNum; <i>1 Mark for correct query)</i> OR <i>(½ Mark for partially correct answer)</i>	4
(c)	(i) 3 <i>(½ Mark for correct output)</i> (ii) 19-Mar-2004 12-Dec-2003 <i>(½ Mark for correct output)</i>	2

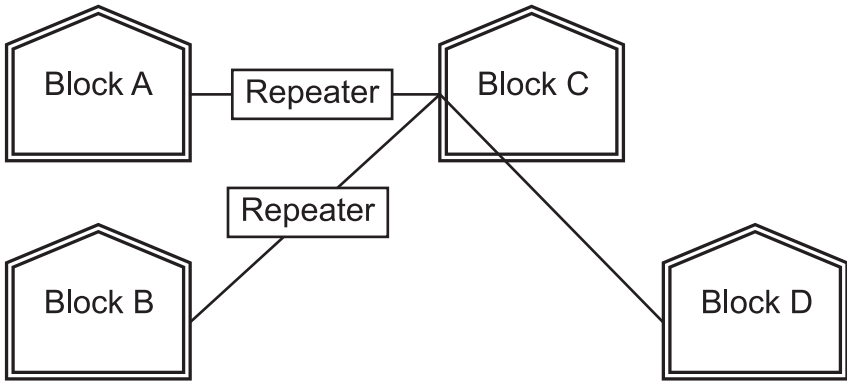
No.	Answers	Marks
6.	<p>(iii) Ravinder Discuss Throw ($\frac{1}{2}$ Mark for correct output)</p> <p>(iv) 1001 1003 1008 ($\frac{1}{2}$ Mark for correct output)</p> <p>$(X+Y)' = X'.Y'$ Verification $(X+Y).(X+Y) = X'.Y'.(X+Y)$ $0 = X'.Y'.X + X'.Y'.Y$ $0 = X'.X.Y' + X'.0$ $0 = 0.Y' + 0$ $0 = 0 + 0$ $0 = 0$ L.H.S = R.H.S</p> <p>(1 Mark for stating any one of the Demorgan's Law) (1 Mark for verifying the law)</p>	2
(b)	<p>$F(P,Q) = (P'+Q).(P+Q')$ (2 Marks for the final expression)</p> <p style="text-align: center;">OR</p> <p>(1 Mark for any one of the correct terms out of $P'+Q$ or $P+Q'$)</p>	2
(c)	<p>$F(U,V,W) = (U+V+W).(U+V'+W').(U'+V+W')$ (1 Mark for the correct expression)</p>	1

No.	Answers	Marks																																													
(d)	<table border="1" data-bbox="399 358 1161 698"> <thead> <tr> <th></th> <th>A'B'</th> <th>A'B</th> <th>AB</th> <th>AB'</th> </tr> </thead> <tbody> <tr> <th>C'D'</th> <td>1</td> <td>1</td> <td></td> <td>1</td> </tr> <tr> <td></td> <td>0</td> <td>4</td> <td>12</td> <td>8</td> </tr> <tr> <th>C'D</th> <td>1</td> <td>1</td> <td></td> <td></td> </tr> <tr> <td></td> <td>1</td> <td>5</td> <td>13</td> <td>9</td> </tr> <tr> <th>CD</th> <td></td> <td></td> <td></td> <td></td> </tr> <tr> <td></td> <td>3</td> <td>7</td> <td>15</td> <td>11</td> </tr> <tr> <th>CD'</th> <td>1</td> <td>1</td> <td></td> <td>1</td> </tr> <tr> <td></td> <td>2</td> <td>6</td> <td>14</td> <td>10</td> </tr> </tbody> </table> <p data-bbox="215 779 606 817">$F(A,B,C,D)=A'C'+A'D'+B'D'$</p> <p data-bbox="215 840 1013 878"><i>(½ Mark for placing all 1s at correct positions in K-Map)</i></p> <p data-bbox="215 900 614 938"><i>(½ Mark for each grouping)</i></p> <p data-bbox="215 960 1069 999"><i>(1 Mark for writing final expression in reduced/minimal form)</i></p> <p data-bbox="215 1021 997 1059">Note: Deduct ½ mark if wrong variable names are used</p>		A'B'	A'B	AB	AB'	C'D'	1	1		1		0	4	12	8	C'D	1	1				1	5	13	9	CD						3	7	15	11	CD'	1	1		1		2	6	14	10	3
	A'B'	A'B	AB	AB'																																											
C'D'	1	1		1																																											
	0	4	12	8																																											
C'D	1	1																																													
	1	5	13	9																																											
CD																																															
	3	7	15	11																																											
CD'	1	1		1																																											
	2	6	14	10																																											
7.	<p data-bbox="124 1198 167 1236">a)</p> <p data-bbox="215 1198 1348 1332">Appropriate comparison between any two out of Circuit Switching, Message Switching, Packet Switching <i>(1 Mark for writing Appropriate comparison between any two switching technique)</i></p> <p data-bbox="124 1355 167 1393">b)</p> <p data-bbox="215 1355 1348 1444">(iii) ASP and (iv) PHP are not client side scripts <i>(1 Mark for correct answer)</i></p> <p data-bbox="124 1467 167 1505">c)</p> <p data-bbox="215 1467 1348 1556">The complaint has to be lodged with the Police under IT Act <i>(1 Mark for correct answer)</i></p> <p data-bbox="124 1579 167 1617">d)</p> <p data-bbox="215 1579 1348 1892">An Internet Protocol (IP) address is a numerical identification and logical address that is assigned to devices connected in a computer network. An IP Address is used to uniquely identify devices on the Internet and so one can quickly know the location of the system in the network. <i>(½ Mark for meaning of IP Address)</i> <i>(½ Mark for mentioning the usefulness in network security)</i></p>	1 1 1 1																																													

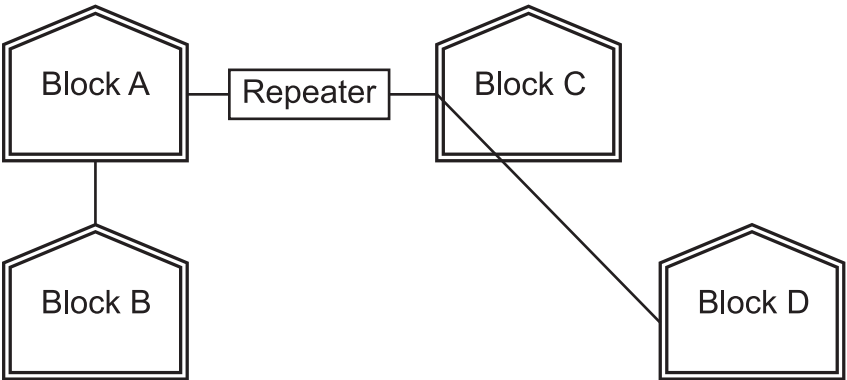
No.	Answers	Marks
e)	<p data-bbox="215 353 694 394">e1) (Any of the following option)</p> <p data-bbox="311 416 542 456">Layout Option 1:</p> <div data-bbox="363 510 1209 884" data-label="Diagram"> <pre> graph TD A[Block A] --- C[Block C] B[Block B] --- C C --- D[Block D] </pre> </div> <p data-bbox="215 1003 1324 1043">Layout Option 2: Since the distance between Block A and Block B is quite short</p> <div data-bbox="363 1097 1209 1471" data-label="Diagram"> <pre> graph TD A[Block A] --- B[Block B] A --- C[Block C] C --- D[Block D] </pre> </div> <p data-bbox="215 1503 1050 1543"><i>(1 Mark for showing any of the above suitable cable layout)</i></p> <p data-bbox="215 1621 1380 1778">e2) The most suitable place / block to house the server of this organisation would be Block C, as this block contains the maximum number of computers, thus decreasing the cabling cost for most of the computers as well as increasing the efficiency of the maximum computers in the network.</p> <p data-bbox="359 1798 1332 1839"><i>(½ Mark for suggesting suitable place and ½ for appropriate reason)</i></p>	4

No.	Answers	Marks
-----	---------	-------

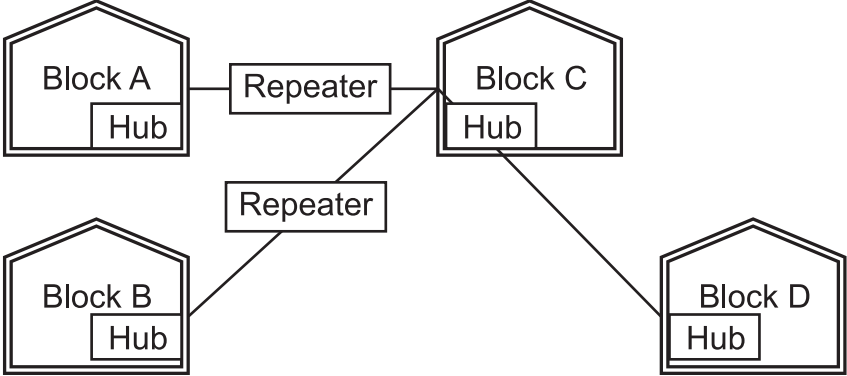
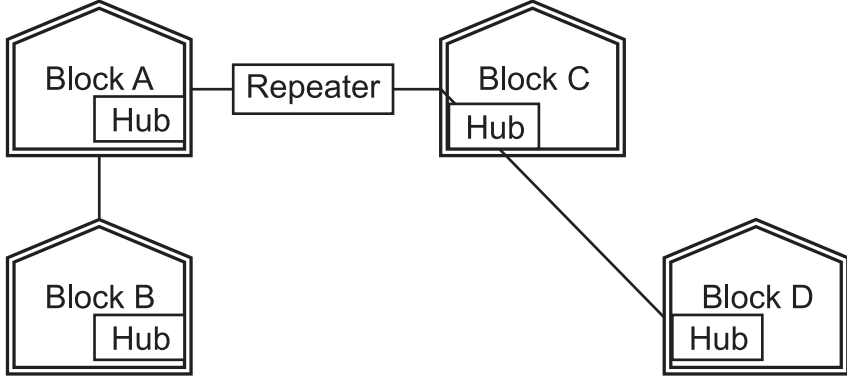
e3) (i) For Layout 1, since the cabling distance between Blocks A and C, and that between B and C are quite large, so a repeater each, would ideally be needed along their path to avoid loss of signals during the course of data flow in these routes.



For layout 2, since the distance between Blocks A and C is large so a repeater would ideally be placed in between this path



(½ Mark for suggesting suitable place for connecting repeater)

No.	Answers	Marks
	<p>(ii) In both the layouts, a hub/switch each would be needed in all the blocks, to interconnect the group of cables from the different computers in each block</p> <p>Layout 1</p>  <p>Layout 2</p>  <p>(½ Mark for suggesting suitable place for connecting hub)</p> <p>e4) The most economic way to connect it with a reasonable high speed would be to use radio wave transmission, as they are easy to install, can travel long distances, and penetrate buildings easily, so they are widely used for communication, both indoors and outdoors. Radio waves also have the advantage of being omni directional, which is they can travel in all the directions from the source, so that the transmitter and receiver do not have to be carefully aligned physically.</p> <p>(1 Mark for appropriate answer)</p> <p>f) Spam mails, also known as junk e-mail, is a subset of spam that involves nearly identical messages sent to numerous recipients by e-mail.</p> <p>We can protect our mailbox from spams by creating appropriate filters.</p> <p>(½ Mark for the definition of Spam Mails)</p> <p>(½ Mark for the appropriate suggestion for protecting mailbox from it)</p>	1

No.	Answers	Marks
g)	<p>Open Source's proponents often claim that it offers significant benefits when compared to typical Proprietary Software. Proprietary Software typically favour visible features (giving marketing advantage) over harder-to measure qualities such as stability, security and similar less glamorous attributes.</p> <p>Open Source Software developers are evidently motivated by many factors but favouring features over quality is not noticeable amongst them. For many developers, peer review and acclaim is important, so it's likely that they will prefer to build software that is admired by their peers. Highly prized factors are clean design, reliability and maintainability, with adherence to standards and shared community values preeminent.</p> <p><i>(1 Mark for appropriate answer)</i></p>	1

COMPUTER SCIENCE (Theory) - Class XII

Sample Question Paper-II

Subject Code - 083

TIME : 3 Hrs

MM : 70

No.	Questions	Marks
1.		
(a)	What is the difference between Actual Parameter and Formal Parameters? Also, give a suitable C++ code to illustrate both	2
(b)	Write the names of the header files to which the following belong: (i) frexp() (ii) isalnum()	1
(c)	Rewrite the following program after removing the syntactical errors (if any). Underline each correction. <pre>#include <iostream.h> struct Pixels { int Color,Style;} void ShowPoint(Pixels P) { cout<<P.Color,P.Style<<endl;} void main() { Pixels Point1=(5,3); ShowPoint(Point1); Pixels Point2=Point1; Color.Point1+=2; ShowPoint(Point2); }</pre>	2
(d)	Find the output of the following program: <pre>#include <iostream.h> void Changethecontent(int Arr[], int Count) { for (int C=1;C<Count;C++)</pre>	3

No.	Questions	Marks
	<pre> Arr[C-1]+=Arr[C]; } void main() { int A[]={3,4,5},B[]={10,20,30,40},C[]={900,1200}; Changethecontent(A,3); Changethecontent(B,4); Changethecontent(C,2); for (int L=0;L<3;L++) cout<<A[L]<<'#'; cout<<endl; for (L=0;L<4;L++) cout<<B[L] <<'#'; cout<<endl; for (L=0;L<2;L++) cout<<C[L] <<'#'; } </pre> <p>(e) Find the output of the following program:</p> <pre> #include <iostream.h> struct Game { char Magic[20];int Score; }; void main() { Game M={"Tiger",500}; char *Choice; Choice=M.Magic; Choice[4]='P'; Choice[2]='L'; M.Score+=50; cout<<M.Magic<<M.Score<<endl; </pre>	2

No.	Questions	Marks
	<pre> Game N=M; N.Magic[0]='A';N.Magic[3]='J'; N.Score-=120; cout<<N.Magic<<N.Score<<endl; } </pre> <p>(f) In the following program, if the value of N given by the user is 20, what maximum and minimum values the program could possibly display?</p> <pre> #include <iostream.h> #include <stdlib.h> void main() { int N,Guessnum; randomize(); cin>>N; Guessnum=random(N-10)+10; cout<<Guessnum<<endl; } </pre>	2
2.	<p>(a) What do you understand by Polymorphism? Give a suitable example of the same.</p> <p>(b) Answer the questions (i) and (ii) after going through the following program:</p> <pre> class Match { int Time; public: Match() //Function 1 { Time=0; cout<<"Match commences"<<endl; } } </pre>	2

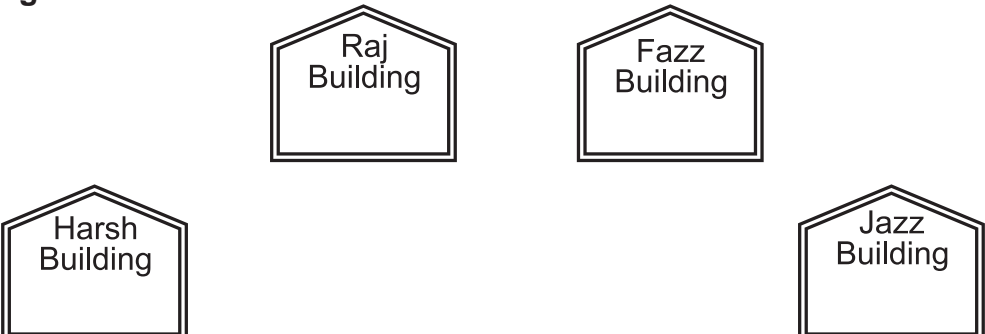
No.	Questions	Marks						
	<pre> } void Details() //Function 2 { cout<<"Inter Section Basketball Match"<<end1; } Match(int Duration) //Function 3 { Time=Duration; cout<<"Another Match begins now"<<end1; } Match(Match &M) //Function 4 { Time=M.Duration; cout<<"Like Previous Match "<<end1; } }; </pre> <p>i) Which category of constructor - Function 4 belongs to and what is the purpose of using it?</p> <p>ii) Write statements that would call the member Functions 1 and 3</p> <p>(c) Define a class in C++ with following description:</p> <p>Private Members</p> <ul style="list-style-type: none"> • A data member Flight number of type integer • A data member Destination of type string • A data member Distance of type float • A data member Fuel of type float • A member function CALFUEL() to calculate the value of Fuel as per the following criteria <table data-bbox="311 1854 826 2011"> <tr> <td>Distance</td> <td>Fuel</td> </tr> <tr> <td><=1000</td> <td>500</td> </tr> <tr> <td>more than 1000 and <=2000</td> <td>1100</td> </tr> </table>	Distance	Fuel	<=1000	500	more than 1000 and <=2000	1100	4
Distance	Fuel							
<=1000	500							
more than 1000 and <=2000	1100							

No.	Questions	Marks
	<p style="text-align: center;">more than 2000 2200</p> <p>Public Members</p> <p>" A function FEEDINFO() to allow user to enter values for Flight Number, Destination, Distance & call function CALFUEL() to calculate the quantity of Fuel</p> <p>" A function SHOWINFO() to allow user to view the content of all the data members</p> <p>(d) Answer the questions (i) to (iv) based on the following:</p> <pre> class CUSTOMER { int Cust_no; char Cust_Name[20]; protected: void Register(); public: CUSTOMER(); void Status(); }; class SALESMAN { int Salesman_no; char Salesman_Name[20]; protected: float Salary; public: SALESMAN(); void Enter(); void Show(); }; class SHOP : private CUSTOMER , public SALESMAN { </pre>	4

No.	Questions	Marks
	<pre>char Voucher_No[10]; char Sales_Date[8]; public: SHOP(); void Sales_Entry(); void Sales_Detail(); };</pre> <p>(i) Write the names of data members which are accessible from objects belonging to class CUSTOMER.</p> <p>(ii) Write the names of all the member functions which are accessible from objects belonging to class SALESMAN.</p> <p>(iii) Write the names of all the members which are accessible from member functions of class SHOP.</p> <p>(iv) How many bytes will be required by an object belonging to class SHOP?</p>	
3.	<p>(a) Write a function in C++ to combine the contents of two equi-sized arrays A and B by adding their corresponding elements as the formula $A[i]+B[i]$; where value i varies from 0 to $N-1$ and transfer the resultant content in the third same sized array C.</p> <p>(b) An array $P[20][30]$ is stored in the memory along the column with each of the element occupying 4 bytes, find out the Base Address of the array, if an element $P[2][20]$ is stored at the memory location 5000.</p> <p>(c) Write a function in C++ to perform Push operation on a dynamically allocated Stack containing real numbers.</p> <p>(d) Write a function in C++ to find sum of rows from a two dimensional array.</p> <p>(e) Evaluate the following postfix notation of expression: True, False, AND, True, True, NOT, OR, AND</p>	<p>3</p> <p>3</p> <p>4</p> <p>2</p> <p>2</p>
4.	<p>(a) Observe the program segment given below carefully and fill the blanks marked as Statement 1 and Statement 2 using seekg() and tellg() functions for performing the required task.</p> <pre>#include <fstream.h> class Employee</pre>	<p>1</p>

No.	Questions	Marks
	<pre> { int Eno;char Ename[20]; public: //Function to count the total number of records int Countrec(); }; int Item::Countrec() { fstream File; File.open("EMP.DAT",ios::binary ios::in); _____ //Statement 1 int Bytes = _____ //Statement 2 int Count = Bytes / sizeof(Item); File.close(); return Count; } </pre>	
(b)	<p>Write a function in C++ to count the number of alphabets present in a text file "NOTES.TXT".</p>	2
(c)	<p>Write a function in C++ to add new objects at the bottom of a binary file "STUDENT.DAT", assuming the binary file is containing the objects of the following class.</p> <pre> class STUD { int Rno; char Name[20]; public: void Enter(){cin>>Rno;gets(Name);} void Display(){cout<<Rno<<Name<<endl;} }; </pre>	3

No.	Questions	Marks																																																			
5.	<p>(a) What do you understand by Primary Key & Candidate Keys?</p> <p>Consider the following tables GAMES and PLAYER and answer (b) and (c) parts of this question:</p> <p>Table: GAMES</p> <table border="1"> <thead> <tr> <th>GCode</th> <th>GameName</th> <th>Type</th> <th>Number</th> <th>Prize Money</th> <th>Schedule Date</th> </tr> </thead> <tbody> <tr> <td>101</td> <td>Carom Board</td> <td>Indoor</td> <td>2</td> <td>5000</td> <td>23-Jan-2004</td> </tr> <tr> <td>102</td> <td>Badminton</td> <td>Outdoor</td> <td>2</td> <td>12000</td> <td>12-Dec-2003</td> </tr> <tr> <td>103</td> <td>Table Tennis</td> <td>Indoor</td> <td>4</td> <td>8000</td> <td>14-Feb-2004</td> </tr> <tr> <td>105</td> <td>Chess</td> <td>Indoor</td> <td>2</td> <td>9000</td> <td>01-Jan-2004</td> </tr> <tr> <td>108</td> <td>Lawn Tennis</td> <td>Outdoor</td> <td>4</td> <td>25000</td> <td>19-Mar-2004</td> </tr> </tbody> </table> <p>Table: PLAYER</p> <table border="1"> <thead> <tr> <th>PCode</th> <th>Name</th> <th>Gcode</th> </tr> </thead> <tbody> <tr> <td>1</td> <td>Nabi Ahmad</td> <td>101</td> </tr> <tr> <td>2</td> <td>Ravi Sahai</td> <td>108</td> </tr> <tr> <td>3</td> <td>Jatin</td> <td>101</td> </tr> <tr> <td>4</td> <td>Nazneen</td> <td>103</td> </tr> </tbody> </table>	GCode	GameName	Type	Number	Prize Money	Schedule Date	101	Carom Board	Indoor	2	5000	23-Jan-2004	102	Badminton	Outdoor	2	12000	12-Dec-2003	103	Table Tennis	Indoor	4	8000	14-Feb-2004	105	Chess	Indoor	2	9000	01-Jan-2004	108	Lawn Tennis	Outdoor	4	25000	19-Mar-2004	PCode	Name	Gcode	1	Nabi Ahmad	101	2	Ravi Sahai	108	3	Jatin	101	4	Nazneen	103	2
GCode	GameName	Type	Number	Prize Money	Schedule Date																																																
101	Carom Board	Indoor	2	5000	23-Jan-2004																																																
102	Badminton	Outdoor	2	12000	12-Dec-2003																																																
103	Table Tennis	Indoor	4	8000	14-Feb-2004																																																
105	Chess	Indoor	2	9000	01-Jan-2004																																																
108	Lawn Tennis	Outdoor	4	25000	19-Mar-2004																																																
PCode	Name	Gcode																																																			
1	Nabi Ahmad	101																																																			
2	Ravi Sahai	108																																																			
3	Jatin	101																																																			
4	Nazneen	103																																																			
	<p>(b) Write SQL commands for the flowing statements:</p> <p>(i) To display the name of all GAMES with their GCodes</p> <p>(ii) To display details of those GAMES which are having PrizeMoney more than 7000.</p> <p>(iii) To display the content of the GAMES table in ascending order of Schedule Date.</p> <p>(iv) To display sum of PrizeMoney for each Type of GAMES</p>	4																																																			
	<p>(c) Give the output of the following SQL queries:</p> <p>(i) SELECT COUNT(DISTINCT Number) FROM GAMES;</p> <p>(ii) SELECT MAX(ScheduleDate),MIN(ScheduleDate) FROM GAMES;</p> <p>(ii) SELECT Name, GameName FROM GAMES G, PLAYER P WHERE G.Gcode=P.Gcode AND G.PrizeMoney>10000;</p>	2																																																			

No.	Questions	Marks																																				
6.	(iv) SELECT DISTINCT Gcode FROM PLAYER; (a) State and algebraically verify Absorption Laws. (b) Write the equivalent Boolean Expression for the following Logic Circuit (c) Write the SOP form of a Boolean function G, which is represented in a truth table as follows: <table border="1" data-bbox="209 622 1385 1144"> <thead> <tr> <th>P</th> <th>Q</th> <th>R</th> <th>G</th> </tr> </thead> <tbody> <tr><td>0</td><td>0</td><td>0</td><td>0</td></tr> <tr><td>0</td><td>0</td><td>1</td><td>0</td></tr> <tr><td>0</td><td>1</td><td>0</td><td>1</td></tr> <tr><td>0</td><td>1</td><td>1</td><td>0</td></tr> <tr><td>1</td><td>0</td><td>0</td><td>1</td></tr> <tr><td>1</td><td>0</td><td>1</td><td>0</td></tr> <tr><td>1</td><td>1</td><td>0</td><td>1</td></tr> <tr><td>1</td><td>1</td><td>1</td><td>1</td></tr> </tbody> </table>	P	Q	R	G	0	0	0	0	0	0	1	0	0	1	0	1	0	1	1	0	1	0	0	1	1	0	1	0	1	1	0	1	1	1	1	1	2 2 1
P	Q	R	G																																			
0	0	0	0																																			
0	0	1	0																																			
0	1	0	1																																			
0	1	1	0																																			
1	0	0	1																																			
1	0	1	0																																			
1	1	0	1																																			
1	1	1	1																																			
7.	(d) Reduce the following Boolean Expression using K-Map: $F(U,V,W,Z) = \pi(0,1,2,4,5,6,8,10)$ a) Define the term Bandwidth. Give any one unit of Bandwidth. b) When do you prefer XML over HTML and why? c) How firewall protect our Network? d) What is the importance of URL in networking? e) Ravya Industries has set up its new center at Kaka Nagar for its office and web based activities. The company compound has 4 buildings as shown in the diagram below: <div style="text-align: center; margin-top: 20px;">  </div>	3 1 1 1 1 4																																				

No.	Questions	Marks																				
	<p>Center to center distances between various buildings is as follows:</p> <table border="1" data-bbox="209 416 1385 763"> <tr> <td>Harsh Building to Raj Building</td> <td>50 m</td> </tr> <tr> <td>Raz Building to Fazz Building</td> <td>60 m</td> </tr> <tr> <td>Fazz Building to Jazz Building</td> <td>25 m</td> </tr> <tr> <td>Jazz Building to Harsh Building</td> <td>170 m</td> </tr> <tr> <td>Harsh Building to Fazz Building</td> <td>125 m</td> </tr> <tr> <td>Raj Building to Jazz Building</td> <td>90 m</td> </tr> </table> <p>Number of Computers in each of the buildings is follows:</p> <table border="1" data-bbox="209 831 1385 1070"> <tr> <td>Harsh Building</td> <td>15</td> </tr> <tr> <td>Raj Building</td> <td>150</td> </tr> <tr> <td>Fazz Building</td> <td>15</td> </tr> <tr> <td>Jazz Bulding</td> <td>25</td> </tr> </table>	Harsh Building to Raj Building	50 m	Raz Building to Fazz Building	60 m	Fazz Building to Jazz Building	25 m	Jazz Building to Harsh Building	170 m	Harsh Building to Fazz Building	125 m	Raj Building to Jazz Building	90 m	Harsh Building	15	Raj Building	150	Fazz Building	15	Jazz Bulding	25	
Harsh Building to Raj Building	50 m																					
Raz Building to Fazz Building	60 m																					
Fazz Building to Jazz Building	25 m																					
Jazz Building to Harsh Building	170 m																					
Harsh Building to Fazz Building	125 m																					
Raj Building to Jazz Building	90 m																					
Harsh Building	15																					
Raj Building	150																					
Fazz Building	15																					
Jazz Bulding	25																					
e1)	Suggest a cable layout of connections between the buildings.																					
e2)	Suggest the most suitable place (i.e. building) to house the server of this organisation with a suitable reason.																					
e3)	Suggest the placement of the following devices with justification:																					
(i)	Internet Connecting Device/Modem																					
(ii)	Switch																					
e4)	The organisation is planning to link its sale counter situated in various parts of the same city, which type of network out of LAN, MAN or WAN will be formed? Justify your answer.																					
f)	Compare freeware and Shareware.	1																				
g)	How Trojan Horses are different from Worms? Mention any one difference.	1																				

COMPUTER SCIENCE (Theory) - Class XII

Marking Scheme

Sample Question Paper-II

Subject Code - 083

TIME : 3 Hrs

MM : 100

No.	Answers	Marks				
1.						
(a)	<table border="1"><thead><tr><th>Actual Parameter</th><th>Formal Parameter</th></tr></thead><tbody><tr><td>It is a parameter, which is used in function call to send the value from calling environment</td><td>It is a parameter, which is used in function header, to receive the value from actual parameter</td></tr></tbody></table>	Actual Parameter	Formal Parameter	It is a parameter, which is used in function call to send the value from calling environment	It is a parameter, which is used in function header, to receive the value from actual parameter	2
Actual Parameter	Formal Parameter					
It is a parameter, which is used in function call to send the value from calling environment	It is a parameter, which is used in function header, to receive the value from actual parameter					
	<pre>#include <iostream.h> void Calc(int T) //T is formal parameter { cout<<5*T; } void main() { int A=45; Calc(A);//A is actual parameter }</pre>					
	<p>(1 Mark for two differences)</p> <p>(1 Mark for the suitable example)</p> <p style="text-align: center;">OR</p> <p>(Full 2 Mark for explanation of differences with the help of an example)</p>					
(b)	<p>(i) math.h (ii) ctype.h</p> <p>(½ Mark for mentioning each correct header filename)</p>	1				

No.	Answers	Marks
(c)	<pre> #include <iostream.h> struct Pixels { int Color,Style;}; void ShowPoint(Pixels P) { cout<<P.Color<<P.Style<<endl;} void main() { Pixels Point1={5,3}; ShowPoint(Point1); Pixels Point2=Point1; Point1.Color+=2; ShowPoint(Point2); } </pre> <p><i>(½ Mark for each correction)</i></p>	2
(d)	<pre> 7#9#5# 30#50#70#40# 2100#1200# </pre> <p><i>(1 Mark for each line of output)</i></p>	3
(e)	<pre> TiLeP550 AiLJP430 </pre> <p><i>(1 Mark for each line of output)</i></p>	2
(f)	<p>Maximum Value: 19 Minimum Value: 10</p> <p><i>(2 Marks for correct values)</i></p>	2

No.	Answers	Marks
2.	<p data-bbox="215 369 1378 526">(a) Polymorphism: It is a method of using the same operator or function (method) to work using different set of inputs. Function overloading is one of the examples of polymorphism, where more than one function carrying same name behave differently with different set of parameters passed to them.</p> <pre data-bbox="311 548 614 996"> void Display() { cout<<"Hello!"<<endl; } void Display(int N) { cout<<2*N+5<<endl; } </pre> <p data-bbox="215 1019 774 1064"><i>(1 Mark each for appropriate definition)</i></p> <p data-bbox="215 1075 694 1120"><i>(1 Mark for appropriate example)</i></p>	2
	<p data-bbox="215 1198 1252 1243">(b) i) Copy constructor, It will help to copy the data from one object to another.</p> <p data-bbox="263 1254 853 1299"><i>(½ Mark for mentioning copy constructor)</i></p> <p data-bbox="263 1310 710 1355"><i>(½ Mark for remaining answer)</i></p> <p data-bbox="215 1366 774 1411">ii) Match M; //Function 1</p> <p data-bbox="311 1422 774 1467"> Match N(10); //Function 3</p> <p data-bbox="215 1478 630 1523"><i>(½ Mark for each statement)</i></p>	2
	<p data-bbox="215 1612 502 1646">(c) class FLIGHT</p> <pre data-bbox="311 1668 598 1993"> { int Fno; char Destination[20]; float Distance, Fuel; void CALFUEL(); public: </pre>	4

No.	Answers	Marks
	<pre> void FEEDINFO(); void SHOWINFO(); }; void FLIGHT::CALFUEL() { if (Distance<=1000) Fuel=500; else if (Distance<=2000) Fuel=1100; else Fuel=2200; } void FLIGHT::FEEDINFO() { cout<<"Flight No :";cin>>Fno; cout<<"Destination :";gets(Destination); cout<<"Distance :";cin>>Distance; CALFUEL(); } void FLIGHT::SHOWINFO() { cout<<"Flight No :"<<Fno<<endl; cout<<"Destination :"<<Destination<<endl; cout<<"Distance :"<<Distance<<endl;; cout<<"Fuel :"<<Fuel<<endl;; } </pre> <p><i>(½ Mark for correct syntax for class header)</i></p> <p><i>(½ Mark for correct declarations of data members)</i></p>	

No.	Answers	Marks
(d)	<p><i>(1 Mark for appropriate definition of function CALFUEL())</i></p> <p><i>(1 Mark for appropriate definition of FEEDINFO() with a call for CALFUEL())</i></p> <p><i>(1 Mark for appropriate definition of SHOWINFO())</i></p>	4
	<p>(i) None of data members are accessible from objects belonging to class AUTHOR. <i>(1 Mark for correct answer)</i></p>	
	<p>(ii) Enter(), Show() <i>(1 Mark for correct answer)</i></p>	
	<p>(iii) Data members: Voucher_No, Sales_Date, Salary Member function: Sales_Entry(), Sales_Detail(), Enter(), Show(), Register(), Status() <i>(1 Mark for correct answer)</i></p>	
3.	<p>(iv) 66 <i>(1 Mark for correct answer)</i></p>	3
	<p>(a) void AddNSave(int A[],int B[],int C[],int N) { for (int i=0;i<N;i++) C[i]=A[i]+B[i]; }</p> <p><i>(1 Mark for correct Function Header with appropriate parameters)</i></p> <p><i>(1 Mark for appropriate loop)</i></p> <p><i>(1 Mark for correct expression for addition of corresponding elements)</i></p>	
	<p>(b) Given, W=4 N=20 M=30 Loc(P[2][20])=5000</p>	3

No.	Answers	Marks
	<p>Column Major Formula:</p> <p>Loc(P[I][J]) =Base(P)+W*(N*J+I)</p> <p>Loc(P[2][20]) =Base(P)+4*(20*20+2)</p> <p>Base(P) =5000 -4*(400+2)</p> <p>=5000-1608</p> <p>=3392</p> <p><i>(1 Mark for writing correct formula (for column major) OR substituting formula with correct values)</i></p> <p><i>(1 Mark for writing calculation step - at least one step)</i></p> <p><i>(1 Mark for correct address)</i></p> <p>(c) struct NODE</p> <pre> { float Data; NODE *Link; }; class STACK { NODE *Top; public: STACK(); void Push(); void Pop(); void Display(); ~STACK(); }; void STACK::Push() { NODE *Temp; Temp=new NODE; </pre>	3

No.	Answers	Marks
	<pre>cin>>Temp->Data; Temp->Link=Top; Top=Temp; }</pre> <p>(1 Mark for declaring Temp pointer) (1 Mark for creating a new node and assigning/entering appropriate values in it) (1 Mark for connecting link part of new node to top) (1 Mark for assigning Top as the new node i.e. Temp)</p>	
(d)	<pre>void MatAdd(int M[][4],int N,int M) { for (int R=0;R<N;R++) { int SumR=0; for (int C=0;C<M;C++) SumR+=M[C][R]; cout<<SumR<<endl; } }</pre> <p>(½ Mark for correct function header) (½ Mark for appropriate outer loop) (½ Mark for appropriate inner loop) (½ Mark for correctly initializing SumR and calculatin the sum)</p>	2
(e)	<p>(½ Mark for correctly evaluating each operator)</p> <p style="text-align: center;">OR</p>	2

No.	Answers	Marks
-----	---------	-------

(1 Mark for correct answer)

Step 1: Push

True

Step 2: Push

False
True

Step 3: AND

Push

True

Pop
Op2=False

Pop
Op1=True
Op2=False

False

Step 4: Push

True
False

Step 5: Push

True
True
False

Step 6: NOT

True
False

Pop
Op2=True

False
True
False

Push

Step 7: OR

Push

True
False

Pop
Op2=False

False

Pop
Op1=True
Op2=False

True
False

Step 8: AND

Push

False

Pop
Op2=True

Pop
Op1=False
Op2=True

False

Step 9: Pop

Result
False

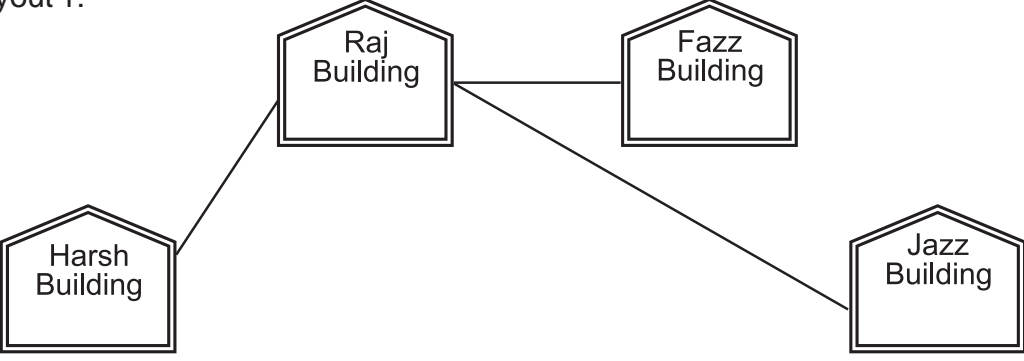
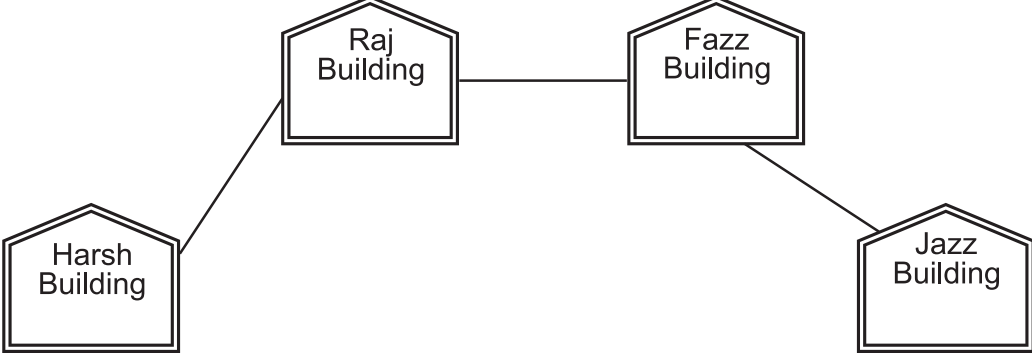
No.	Answers	Marks
4.	<p>(a) File.seekg(0,ios::end); //Statement 1 File.tellg(); //Statement 2 <i>(½ Mark for each correct Statement)</i></p> <p>(b) void CountAlphabet() { ifstream FIL("NOTES.TXT"); int CALPHA=0; char CH=FIL.get(); while (!FIL.eof()) { if (isalpha(CH)) CALPHA++; CH=FIL.get(); } cout<<"No. of Alphabets:"<<CALPHA<<endl; }</p> <p><i>(½ Mark for opening NOTES.TXT correctly)</i> <i>(½ Mark for initializing a counter variable as 0)</i> <i>(½ Mark for correctly reading a character from the file)</i> <i>(½ Mark for correctly incrementing the counter)</i></p>	1
(c)	<pre>void Addnew() { ifstream FIL; FIL.open("STUDENT.DAT",ios::binary ios::app); STUD S; char CH; do {</pre>	3

No.	Answers	Marks
	<pre> S.Enter(); FIL.write((char*)&S,sizeof(S)); cout<<"More(Y/N)?">>cin>>CH; } while(CH!='Y'); FIL.close(); } </pre> <p>(½ Mark for opening STUDENT.DAT correctly) (½ Mark for user input for the new object) (1 Mark for appropriate loop) (1 Mark for writing the record on to the binary file)</p>	
5.	<p>(a) An attribute or set attributes which are used to identify a tuple uniquely is known as Primary Key. If a table has more than one such attributes which identify a tuple uniquely than all such attributes are known as Candidate Keys.</p> <p>(1 Mark for each definition)</p>	2
	<p>(b) Write SQL commands for the flowing statements:</p> <p>(i) SELECT GameName,Gcode FROM GAMES; (1 Mark for correct query)</p> <p style="text-align: center;">OR</p> <p>(½ Mark for partially correct answer)</p> <p>(ii) SELECT * FROM Games WHERE Prizemoney>7000; (1 Mark for correct query)</p> <p style="text-align: center;">OR</p> <p>(½ Mark for partially correct answer)</p> <p>(iii) SELECT * FROM Games ORDER BY ScheduleDate; (1 Mark for correct query)</p>	4

No.	Answers	Marks
(c)	<p style="text-align: center;">OR</p> <p style="text-align: center;"><i>(½ Mark for partially correct answer)</i></p>	2
	<p>(iv) SELECT SUM(Prizemoney),Type FROM Games GROUP BY Type; <i>(1 Mark for correct query)</i></p>	
	<p style="text-align: center;">OR</p> <p style="text-align: center;"><i>(½ Mark for partially correct answer)</i></p>	
	<p>(i) 2 <i>(½ Mark for correct output)</i></p> <p>(ii) 19-Mar-2004 12-Dec-2003 <i>(½ Mark for correct output)</i></p> <p>(iii) Ravi Sahai Lawn Tennis <i>(½ Mark for correct output)</i></p> <p>(iv) 3 <i>(½ Mark for correct output)</i></p>	
6.	<p>(a) $X+X.Y = X$</p> <p>L.H.S $= X+X.Y$</p> <p>$= X.1+X.Y$</p> <p>$= X.(1+Y)$</p> <p>$= X.1$</p> <p>$= X$</p> <p>$=$ R.H.S</p> <p>$X+X'.Y = X+Y$</p> <p>L.H.S. $= X+X'.Y$</p>	2

No.	Answers	Marks																									
	$= (X+X).(X+Y)$ $= 1.(X+Y)$ $= X+Y$ $= \text{R.H.S}$ <p>(1 Mark for stating any one of the Absorption Law)</p> <p>(1 Mark for verifying the law)</p>																										
(b)	$F(U,V)=U'.V+U.V'$ <p>(2 Marks for the final expression)</p> <p style="text-align: center;">OR</p> <p>(1 Mark for any one of the correct terms out of $U'.V$ or $U.V'$)</p>	2																									
(c)	$F(P,Q,R) = P'.Q'R'+P'.Q'R+P'.Q.R+P.Q'.R$ <p>(1 Mark for the correct expression)</p>	1																									
(d)	<table border="1" data-bbox="381 1249 1230 1617"> <thead> <tr> <th></th> <th>U'V'</th> <th>U'V</th> <th>UV</th> <th>UV'</th> </tr> </thead> <tbody> <tr> <td>W'Z'</td> <td>0</td> <td>4</td> <td>1 12</td> <td>8</td> </tr> <tr> <td>W'Z</td> <td>1</td> <td>8</td> <td>1 3</td> <td>9</td> </tr> <tr> <td>WZ</td> <td>1 3</td> <td>1 7</td> <td>1 5</td> <td>11</td> </tr> <tr> <td>WZ'</td> <td>2</td> <td>6</td> <td>1 14</td> <td>10</td> </tr> </tbody> </table> <p>$F(U,V,W,Z)=UV+WZ+UZ$</p> <p>(½ Mark for placing all 1s at correct positions in K-Map)</p> <p>(½ Mark for each grouping)</p> <p>(1 Mark for writing final expression in reduced/minimal form)</p> <p>Note: Deduct ½ mark if wrong variable names are used</p>		U'V'	U'V	UV	UV'	W'Z'	0	4	1 12	8	W'Z	1	8	1 3	9	WZ	1 3	1 7	1 5	11	WZ'	2	6	1 14	10	3
	U'V'	U'V	UV	UV'																							
W'Z'	0	4	1 12	8																							
W'Z	1	8	1 3	9																							
WZ	1 3	1 7	1 5	11																							
WZ'	2	6	1 14	10																							

No.	Answers	Marks
7.	<p data-bbox="220 427 1377 499">a) Bandwidth is referred to the volume of information per unit of time that a transmission medium (like an Internet connection) can handle.</p> <p data-bbox="730 528 778 562" style="text-align: center;">OR</p> <p data-bbox="220 591 1377 663">The amount of data that can be transmitted in a fixed amount of time is known as bandwidth.</p> <p data-bbox="220 692 1377 808">For digital devices, the bandwidth is usually expressed in bits per second(bps) or bytes per second. For analog devices, the bandwidth is expressed in cycles per second, or Hertz (Hz).</p> <p data-bbox="220 837 802 871"><i>(½ Mark for writing appropriate definition)</i></p> <p data-bbox="220 900 791 934"><i>(½ Mark for giving the unit of bandwidth)</i></p> <p data-bbox="220 1008 1377 1079">b) The first benefit of XML is that because you are writing your own markup language, you are not restricted to a limited set of tags defined by proprietary vendors.</p> <p data-bbox="220 1108 1377 1256">Rather than waiting for standards bodies to adopt tag set enhancements (a process which can take quite some time), or for browser companies to adopt each other's standards (yeah right!), with XML, you can create your own set of tags at your own pace.</p> <p data-bbox="220 1285 823 1319"><i>(1 Mark for writing appropriate explanation)</i></p> <p data-bbox="220 1393 1377 1554">c) A firewall is a part of a computer system or network that is designed to block unauthorized access while permitting authorized communications. It is a device or set of devices configured to permit, deny, encrypt, decrypt, or proxy all (in and out) computer traffic between different security domains based upon a set of rules and other criteria.</p> <p data-bbox="220 1583 823 1617"><i>(1 Mark for writing appropriate explanation)</i></p> <p data-bbox="220 1691 1377 1807">d) A Uniform Resource Locator (URL) is used to specify, where an identified resource is available in the network and the mechanism for retrieving it. A URL is also referred to as a Web address.</p> <p data-bbox="220 1836 834 1870"><i>(1 Mark for writing appropriate explanation)</i></p>	<p data-bbox="1417 427 1433 461">1</p> <p data-bbox="1417 1008 1433 1041">1</p> <p data-bbox="1417 1393 1433 1426">1</p> <p data-bbox="1417 1691 1433 1724">1</p>

No.	Answers	Marks
e)	<p data-bbox="220 331 1157 365">Suggest a cable layout of connections between the buildings.</p> <p data-bbox="220 387 343 421">Layout 1:</p>  <p data-bbox="220 824 1377 857">Layout 2: Since the distance between Fazz Building and Jazz Building is quite short</p>  <p data-bbox="220 1305 914 1339"><i>(1 Mark for any one of the two suggested layouts)</i></p> <p data-bbox="220 1373 1377 1529">e2) The most suitable place / block to house the server of this organisation would be Raj Building, as this block contains the maximum number of computers, thus decreasing the cabling cost for most of the computers as well as increasing the efficiency of the maximum computers in the network.</p> <p data-bbox="220 1552 890 1585"><i>(1 Mark for correct answer with suitable reason)</i></p> <p data-bbox="220 1619 1377 1742">e3) (i) Raj Building (ii) In both the layouts, a hub/switch each would be needed in all the buildings, to interconnect the group of cables from the different computers in each block</p> <p data-bbox="220 1765 691 1798"><i>(½ Mark for each correct answer)</i></p> <p data-bbox="220 1821 1377 1933">e4) The type of network that shall be formed to link the sale counters situated in various parts of the same city would be a MAN, because MAN (Metropolitan Area Networks) are the networks that link computer facilities within a city.</p> <p data-bbox="220 1955 946 1989"><i>(1 Mark for correct answer with suitable justification)</i></p>	4

No.	Answers	Marks
f)	<p>Freeware, the name derived from words "free" and "software". It is a computer software that is available for use at no cost or for an optional fee. Freeware is generally proprietary software available at zero price, and is not free software. The author usually restricts one or more rights to copy, distribute, and make derivative works of the software.</p> <p>Shareware is usually offered as a trial version with certain features only available after the license is purchased, or as a full version, but for a trial period. Once the trial period has passed the program may stop running until a license is purchased. Shareware is often offered without support, updates, or help menus, which only become available with the purchase of a license. The words "free trial" or "trial version" are indicative of shareware.</p> <p><i>(1 Mark for appropriate difference)</i></p>	1
g)	<p>A Trojan horse is a term used to describe malware that appears, to the user, to perform a desirable function but, in fact, facilitates unauthorized access to the user's computer system</p> <p>A computer worm is a self-replicating computer program. It uses a network to send copies of itself to other nodes (computers on the network) and it may do so without any user intervention.</p> <p><i>(1 Mark for appropriate difference)</i></p>	1